



## COOK&HOLD CSD212E

Static low-temperatures  
cook&hold drawers with  
separate controls

### CONSTRUCTION FEATURES

- Tightness chamber with radiused corners
- Total thermic insulation with rock wool
- Long lasting drawers seals made up of food grade of high heat resistance
- Static heating provided by low consumption wire heating element that coils up all the chamber
- Ergonomic and fully built-in drawers handle with magnetic closure

### FUNCTIONAL FEATURES

- Two electronic controls of the time, temperature and core probe
- Operating temperature 30° ÷ 120°C
- Humidity vents
- Chamber with safety thermostat

### STANDARD SUPPLY

- Removable GN1/1 tray racks
- Internal core probe
- On feet

### OPTIONS & ACCESSORIES

- |                                     |                                       |
|-------------------------------------|---------------------------------------|
| <input type="checkbox"/> Set wheels | <input type="checkbox"/> Black colour |
| <input type="checkbox"/> Grids      | <input type="checkbox"/> White colour |
| <input type="checkbox"/> Trays      |                                       |


**MODULINESRL**


Via dell'Industria 11, Z.I. San Giacomo di Veglia 31029 Vittorio Veneto (TV) - ITALY  
 tel. +39 0438 5063 - fax +39 0438 912 323 - info@moduline.it - www.moduline.it



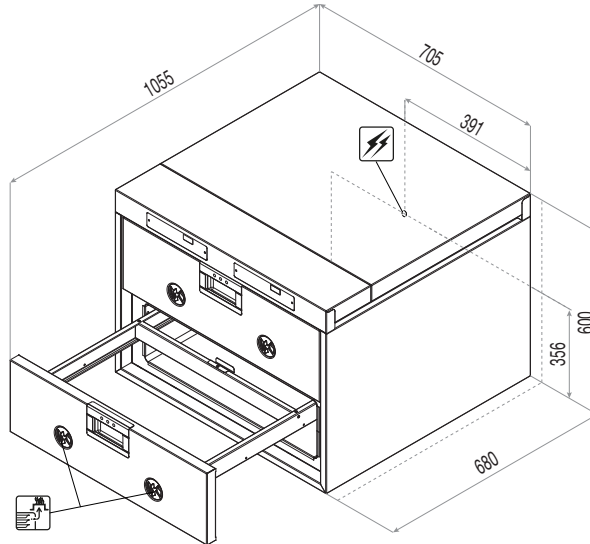
# moduline

## TECHNICAL INSTALLATION DIAGRAM

Electricity supply  
cable inlet 

Humidity  
exhaustion vent 

**Important** - Drawing and  
dimensions refer to the  
standard version.  
They may change with the  
addition of accessories or  
options.



Overall dimensions  
(W x D x H) - mm

705 x 680 x 600h

Trays capacity

2 GN 1/1

Power supply

AC 230V 50/60 Hz

Containers max  
height [mm]

150

Total input  
[kW]

1,4

Product max  
capacity [Kg]

12

Amps.  
[A]

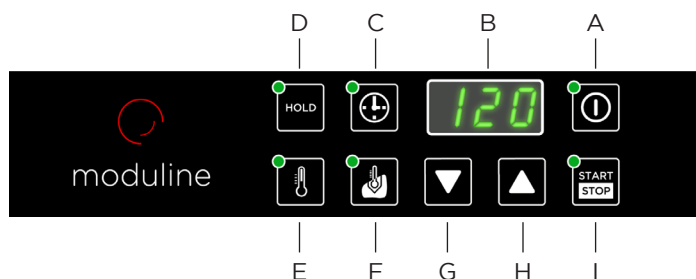
6,1

Net weight  
[Kg]

67

Working  
temperature [°C]

30 ÷ 120



- A ON/OFF switch
- B Display
- C Time selection key
- D Keeping warm or regenerating mode programming keys
- E Temperature selection key
- F Core probe on/off key
- G Temperature decrease key
- H Temperature increase key
- I START/STOP key

**MODULINESRL**

Via dell'Industria 11, Z.I. San Giacomo di Veglia 31029 Vittorio Veneto (TV) - ITALY  
tel. +39 0438 5063 - fax +39 0438 912 323 - info@moduline.it - www.moduline.it