



## HSH051E

### Hot holding cabinet

#### CONSTRUCTION FEATURES

- Tightness chamber with radiused corners
- Total thermic insulation with rock or glass wool
- Long lasting door seals made up of food grade of high heat resistance
- Static heating provided by low consumption wire heating element that coils up all the chamber
- Handles to carry by hand
- Ergonomic and fully built-in door handle with magnetic closure

#### FUNCTIONAL FEATURES

- Electronic control of the temperature
- Operating temperature 30°C ÷ 120°C
- Two adjustable humidity vents : on the door and rear wall
- Designed for stacking
- Reversible door
- Suction feet
- Chamber with safety thermostat

#### STANDARD SUPPLY

- Removable GN1/1 tray racks


**MODULINESRL**


Via dell'Industria 11, Z.I. San Giacomo di Veglia 31029 Vittorio Veneto (TV) - ITALY  
 tel. +39 0438 5063 - fax +39 0438 912 323 - info@moduline.it - www.moduline.it

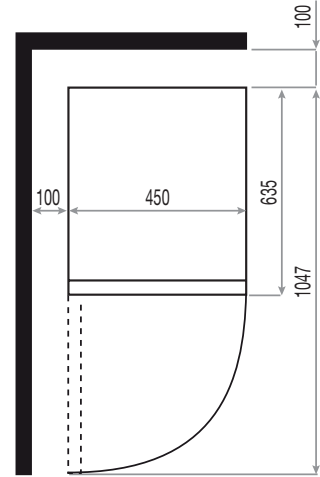
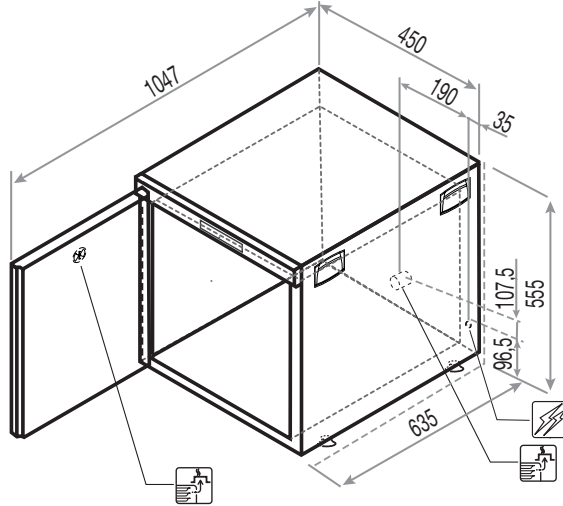


# moduline

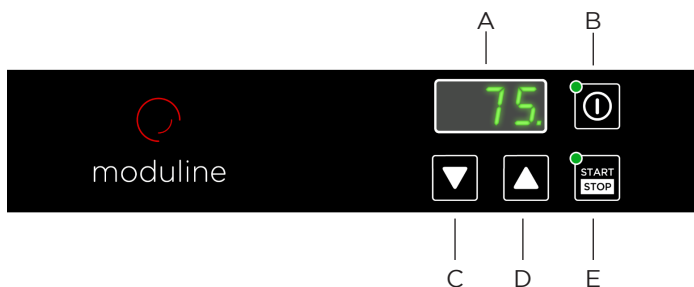
## TECHNICAL INSTALLATION DIAGRAM

Electricity supply  
cable inlet 

Adjustable vent  
for release of  
excess humidity 



<b>Overall dimensions</b> (W x D x H) - mm	450 x 635 x 555h	<b>Working temperature</b> [°C]	30÷120
<b>Trays capacity</b>	5 GN 1/1	<b>Containers capacity distance</b> [mm]	5 GN 1/1 (70)
<b>Power kW</b>	1	<b>Containers max height</b> [mm]	5 x 65 (h) 2 x 150 (h) 1 x 200 (h) + 1 x 150 (h)
<b>Power supply</b>	AC 230V 50 Hz	<b>Product max capacity</b> [kg]	15
<b>Rated voltage</b> [Vac]	230	<b>Net weight</b>	27
<b>Total input</b> [Kw]	1		
<b>Amps.</b> [A]	4,4		
<b>Connecting wire min. section</b> (type H07 RN-F) [mm <sup>2</sup> ]	3 x 1		



- A Display
- B ON/OFF switch
- C Temperature decrease key
- D Temperature increase key
- E START/STOP key

**MODULINESRL**

Via dell'Industria 11, Z.I. San Giacomo di Veglia 31029 Vittorio Veneto (TV) - ITALY  
tel. +39 0438 5063 - fax +39 0438 912 323 - info@moduline.it - www.moduline.it