

# XpressChef™

Project #: \_\_\_\_\_

Item #: \_\_\_\_\_



## High Speed Combination Oven XpressChef™ 2c Series

### Combines cooking energies for superior baking results **FAST!**

- 2700W Convection enhances toasting and browning
- 95°– 250°C (200°– 475°F) temperature range
- 1000, 1400, or 1900W top antenna feed microwave system heats quickly, reduces cooking time
- Flexible cooking platform. Use any combination of convection and microwave

### Simplifies cooking

- **Ventless Options:** "V" models feature built-in catalytic converter for ventless operation
- Stackable without a kit, to increase throughput and save valuable counter space
- 34 liter (1.2 cubic ft.) oven capacity easily accommodates a 30cm (12") pizza

### Multi-language universal operation, with programming flexibility

- Oven interface and programming software support 20 languages
- Smart USB connectivity standard
- Compatible with ACP Programming Application
- Stores up to 100 programmable menu items

### Cuts Costs

- Uses less energy than a conventional oven
- Eliminates need for pre-cooking and holding
- Uses quarter-size metal trays, pans and screens

### Easy to Use and Maintain

- Stainless steel exterior and interior
- Door opens 90°+ for full access to the oven cavity

### Optional Accessories

- Oven paddle (PA10)
- Magnetic air filter (AF10)
- Panini grill plate (JR10)
- Pizza Stone (ST10C)
- Drip Tray/Griddle (DR10)
- Non-stick baskets (TB10/S, SB10/S, MB10/S)
- Non-stick cavity liners (TL12)
- Oven floor liner (OV10)
- Stainless cart/equipment stands: (CA24, CA30)
- Oven Cleaner & Shield (CL10W\*\*, PR10W\*\*)
- Replacement oven rack (RA14)

### Warranty

Warranty Certificate for this product can be found on the ACP, Inc. website at [www.acpsolutions.com/warranty](http://www.acpsolutions.com/warranty)



### Safety and Sanitation

This ACP, Inc. product meets and exceeds safety and sanitation standards set for commercial microwave ovens by UL, ETL, NSF, CSA, FDA, and CE



## Market Regions: Europe & Middle East

**XpressChef™ 2c Series | Heavy Volume**  
This category of high speed oven is ideal for...

### Applications

- Cafés
- Bakeries
- Wine bars
- Pubs
- Supermarkets
- Convenience stores
- Country clubs
- Kiosks

### Throughput potential by oven wattage (Qty/hour)

Food item	1000W	1400W	1900W
Lava Cake	16	36	36
Chicken Pot Pie	14	15	19
Biscuits (6)	14	14	14
Scones	12	16	18
Baked Brie	13	14	16
Artichoke Dip	23	25	27
30cm (12") Pizza	10	12	15
Large Baked Potato	8	9	11

### Location of Oven(s)

- Kitchen shelf
- Kitchen counter top, single or stacked
- Equipment stand, single or stacked

All ACP, Inc. commercial ovens are supported by our Culinary Center. Do not hesitate to contact us for any questions regarding food preparation, menu development and cooking times: [testkitchen@acpsolutions.com](mailto:testkitchen@acpsolutions.com)



For other market regions, please see product literature online

\*\* Only shipped in Europe



© 2020 ACP, Inc.  
Cedar Rapids, Iowa 52404

225 49th Ave. Dr. SW Cedar Rapids, IA 52404 U.S.A.

800-233-2366

319-368-8120

Fax: 319-368-8198

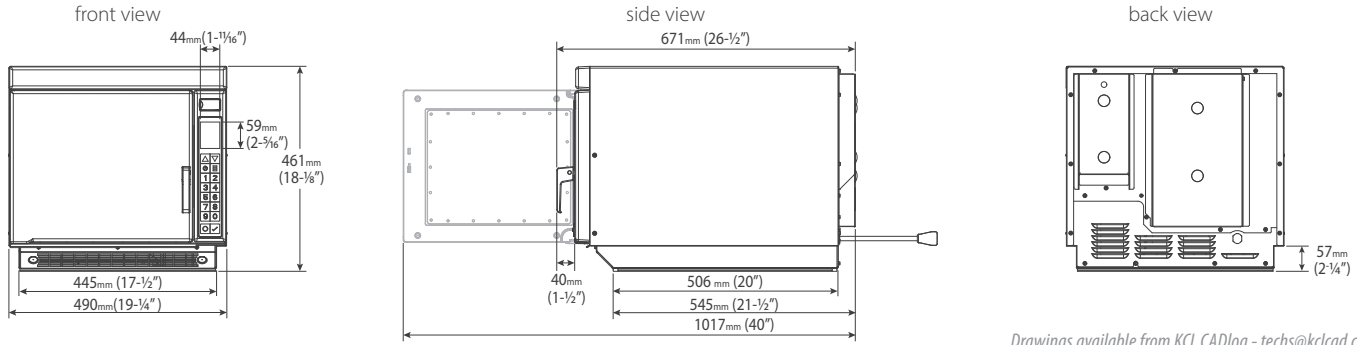
[www.acpsolutions.com](http://www.acpsolutions.com)

AIA File #:

Specification #:

# XpressChef™ 2c Series | High Speed Combination Oven

Europe & Middle East



Drawings available from KCL CADlog - techs@kclcad.com

## Dimensions

Exterior	H 461 (18 1/8")	W 490 (19 1/4")	D† 671 (26 1/2")
Cavity	H 267 (10 1/2")	W 330 (13")	D 381 (15")
Usable Cavity Space	34 liter (1.2 cubic ft.)		
Door Depth	1017 (40"), 90°+ door open		
Installation Clearance	Top: 102 (4")	Sides: 25 (1")	Back: None
Shipping Carton	H 546 (21 1/2")	W 540 (21 1/4")	D 756 (29 3/4")
<b>Weight</b>			
Model Type	Product Weight	Ship weight (approx.)	
With catalytic converter	51 kg. (112 lbs)	53 kg. (116 lbs)	
Without catalytic converter	50 kg. (111 lbs)	52 kg. (115 lbs)	

## Features

Configuration	Countertop
Stackable	Yes, without kit
Display	71 (2.8") Color LCD
USB Port	Yes
Internet Connectivity	No
Control System	Touchpad
Programmable Control	Yes, 10 pads
Braille	Overlay available
Settings Programmable	100
Temperature Range	95°– 250°C (200°– 475°F)
Microwave Distribution	Rotating antennas, top
Power Levels	11
Defrost	Yes, microwave only, power level 2
Time Entry Option	Yes
Stage Cooking	Yes, 4 stages
Air Filter	Non-removable with cleaning reminder**
Rack	2 positions, 1 removable rack
Door Handle	Lift & Pull
Exterior Finish	Stainless steel
Interior Finish	Stainless steel

ACP, Inc. requires installing a type D circuit breaker for all high-speed oven installations.

Measurements are millimeters. Measurements in ( ) are US Standard

\* IEC 60705 Tested

\*\* Removable magnetic air filter accessory available (#AF10)

† Includes handle

‡ Catalytic convertor filters grease and odors from the air. This product conforms to the Ventless Operation

Recommendations set forth by NFPA96 using EPA202 test method

EMEA = Europe, the Middle East and Africa; APAC = Asia Pacific and Oceania; LATAM = Latin America

## Electrical Configuration

Region	Model#/ UPC	Auto. Voltage Sensor	Max. Cooking Time	Catalytic Converter	Power Consumption	Power Output		Power Source	Plug Configuration	Cord Length	Frequency	Magnetron
						Microwave*	Convection					
EMEA, APAC, LATAM single phase	<b>JETS10</b> 728028470611	No	20:00	No	3200W, 16A	1000W*	2700W	220V, 50Hz, 16A, single phase	CEE 7/7 "Schuko"	1.5m (5 ft.)	2450MHz	1
EMEA, APAC, LATAM single phase	<b>JETS10V</b> 728028470628	No	20:00	Yes‡	3200W, 16A	1000W*	2700W	220V, 50Hz, 16A, single phase	CEE 7/7 "Schuko"	1.5m (5 ft.)	2450MHz	1
EMEA, APAC, LATAM single phase	<b>JETS14</b> 728028244731	No	20:00	No	2900W, 13A	1400W*	2700W	230-240V, 50Hz, 16A, single phase	CEE 7/7 "Schuko"	1.5m (5 ft.)	2450MHz	2
EMEA, APAC, LATAM single phase	<b>JETS14V</b> 728028244748	No	20:00	Yes‡	2900W, 13A	1400W*	2700W	230-240V, 50Hz, 16A, single phase	CEE 7/7 "Schuko"	1.5m (5 ft.)	2450MHz	2
EMEA, APAC, LATAM single phase	<b>JETS192</b> 728028244762	No	16:00	No	3100W, 14A	1900W*	2700W	230-240V, 50Hz, 16A, single phase	CEE 7/7 "Schuko"	1.5m (5 ft.)	2450MHz	2
EMEA, APAC, LATAM multi phase	<b>JETS193</b> 728028376852	No	16:00	No	6200W, 14A	1900W*	2700W	400V, 50Hz, 16A, 3phase, 5wire	IEC 309	2.4 m (8 ft.)	2450MHz	2
EMEA, APAC, LATAM single phase	<b>JETS19V2</b> 728028244779	No	16:00	Yes‡	3100W, 14A	1900W*	2700W	230-240V, 50Hz, 16A, single phase	CEE 7/7 "Schuko"	1.5m (5 ft.)	2450MHz	2
EMEA, APAC, LATAM multi phase	<b>JETS19V3</b> 728028376869	No	16:00	Yes‡	6200W, 14A	1900W*	2700W	400V, 50Hz, 16A, 3phase, 5wire	IEC 309	2.4 m (8 ft.)	2450MHz	2
EMEA (UK), APAC single phase	<b>JETS14U</b> 728028244755	No	20:00	No	2400W, 11A	1400W*	2700W	230-240V, 50Hz, 13A, single phase	BS1363A	1.5m (5 ft.)	2450MHz	2
Saudi Arabia single phase	<b>JET14VSA</b> 728028376814	No	20:00	Yes‡	3300W, 16A	1400W*	2700W	220V, 60Hz, 16A, single phase	Direct Wire	1.5m (5 ft.)	2450MHz	2
Saudi Arabia single phase	<b>JET19VSA</b> 728028376821	No	16:00	Yes‡	5700W, 28A	1900W*	2700W	220V, 60Hz, 32A, single phase	Direct Wire	1.5m (5 ft.)	2450MHz	2

**ACP** INC. 225 49th Ave. Dr. SW, Cedar Rapids, IA 52404 U.S.A.  
800-233-2366 • 319-368-8120 • Fax: 319-368-8198  
www.acpsolutions.com

Part No. 20271502  
Updated 12/16/2019  
© 2020 ACP, Inc., Cedar Rapids, Iowa 52404

an Ali Group Company



The Spirit of Excellence

Specification #:

AIA File #: